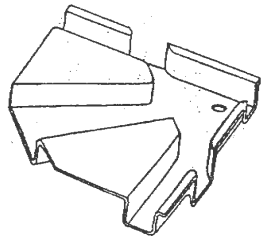


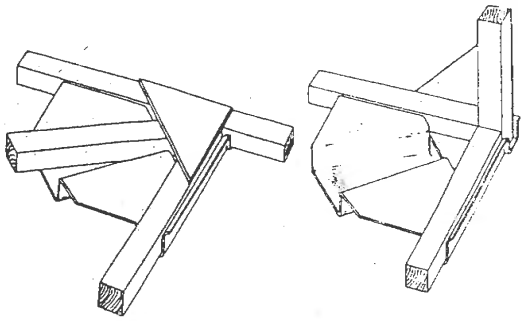
The LYNX JOINTER



Patent No: GB 220683A

1. Cut two cardboard triangles (5,6) to fit JOINTER (Fig 1).
2. Smear one side of a card triangle (6) with PVA adhesive and place in JOINTER with glued side facing up (fig 1).
3. Decide configuration of structure and fit pieces of wood (3,4) into JOINTER. See (fig 2) for some alternatives to a simple right-angled joint. Glue and fit in position second card triangle (5), secure joint in JOINTER using a 'Buildog Clip' (2), (fig 1).
After a few minutes the joint will have set sufficiently to enable the structure to be removed from JOINTER. Allow 20 minutes for full working strength.
4. JOINTER can be used to mark out and mount axle hangers. First, place card triangle into JOINTER and mark position of hole with a pencil using the hole in JOINTER. After punching the hole, glue the hypotenuse of the card triangle and place into JOINTER. Locate structure in JOINTER, (fig 3).

FIGURE 2



Alternative joints, 90° Tee, 45° - 60°, 3-Dimensional

FIGURE 1

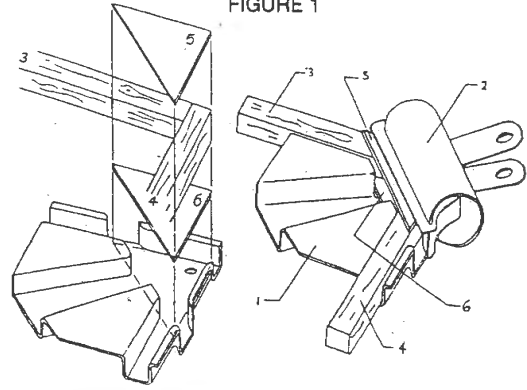
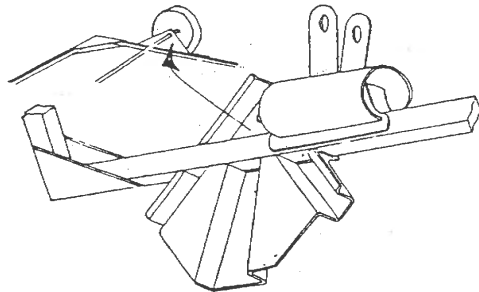


FIGURE 3



© 1981 SEAS IXL YL7